



TECH 21

ADVANCED DRYER SYSTEM



TOTAL DRYING CONTROL

With the new Tech 21 Advanced Dryer System, you now have the power over your drying system. Its optional SMART nozzle technology allows you to control the direction of airflow to produce the ultimate in drying results.

Flexibility to suit your needs

Available in 20, 30 or 40 HP package systems or as a Pro-Build system, customize the Tech 21 to suit your needs. Choose from stationary nozzles or optional SMART nozzles to dry hard-to-reach areas, from side mirrors to the back of vehicles.

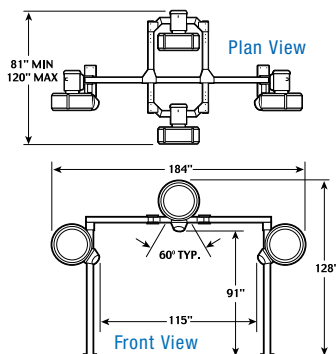
WHY CHOOSE TECH 21?

Features:

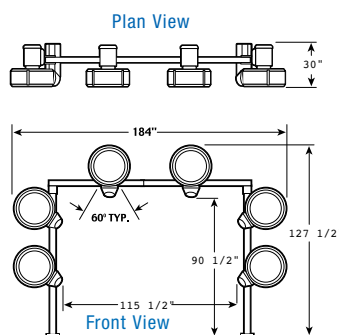
- Fiber optic nozzle synchronization
- Dries backs of vehicles & mirrors
- 155 MPH air speed
- Optional programmable SMART Nozzle
- No conflicting airflow
- Flexible design allows for customization
- Dynamically balanced welded steel fans produce high volume of airflow
- Stainless steel reinforced molded producer housings for greater safety and less noise
- Maintenance free Pro-Coat Finish
- 3800 CFM (107.6 CMM) rating
- 1 year warranty on drive system



Tech 21 RD-400



Pro-Build System



Types of Systems

Package Systems:

- Tech 21 RD-200 Side Booster System (20 HP)
- Tech 21 RD-300 3-Producer System (30 HP)
- Tech 21 RD-400 4-Producer System (40 HP)

Pro-Build System Components:

- Arch - aluminum, Pro-Coat, 3 piece construction
- 10 HP Fixed nozzle producer
- 10 HP SMART nozzle producer
- Vehicle detector kit
- Hand-held remote programmable controller for programming all SMART nozzles

Optional SMART Nozzle Features:

- Nozzle can rotate 360 degrees
- Oscillating and flipping features
- Time delay feature to increase dwell time on hard-to-dry areas

Technical Data

10 HP Producer Capacity

- 155 MPH air speed (250KM/H)
- 3400 CFM air flow (96CM/M)

15 HP Producer Capacity

- 170 MPH air speed (250KM/H)
- 4400 CFM air flow (125CM/M)

Affordable, Unbeatable Car Wash Equipment

For more than 30 years, MacNeil Wash Systems has provided superior car wash equipment to the tunnel car wash industry, automotive dealers, fleet and rental markets. Our turnkey systems, profit-boosting add-ons and cost-effective retrofits deliver a consistently superior clean with lower maintenance, higher throughput and greater revenue opportunity. Today, MacNeil equipment is more affordable than ever. Put us to the test.

MacNeil reserves the right to revise designs, make corrections, add or delete features and change specifications at any time without notice or obligation. Information provided is for reference only and is not to be used for installation or construction purposes. Refer to MacNeil Wash Systems' equipment drawings for installation specifications