



# FINISHING SIDE & TOP DRYERS



## ULTIMATE DRYING

*Whether it's a new installation or a retrofit to a dryer system in an existing tunnel, MacNeil's new Finishing Side and Top Dryers are designed to get a maximum dry in minimum time.*

### **Get Dry Fast**

Our powerful systems include adjustable plenums to produce maximum drying power at rapid speeds. Made to fit pre-existing motor blowers from most major manufacturers, body-hugging side and top dryers evaporate water beads on a vehicles surface to dry better than ever. Made to last, the plenums are made from 5052-H32 aluminum, and bags are produced from durable Proto-Duck™ material to resist corrosion and tearing.



## Why Choose Our Dryers?

### Finishing Side & Top Dryers

#### Features:

- Compact design saves valuable tunnel space
- Plenums adjust 12 degrees in either direction for precise calibration
- Bag distributes air evenly. Available in three dual color combinations: red/black, green/black and blue/black. Custom colors also available
- Zero maintenance
- High vehicle count per hour
- Motor & blower not included

### Finishing Side Dryer

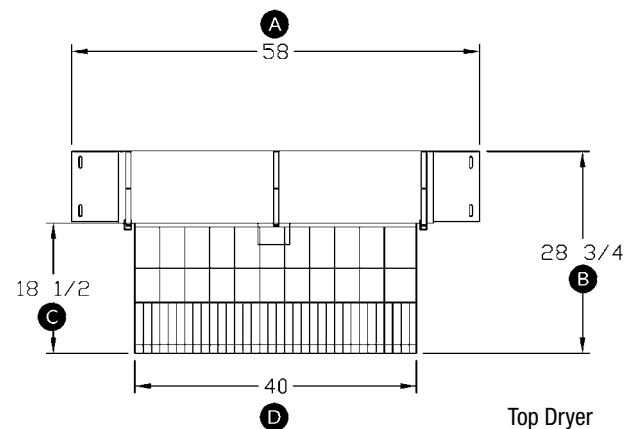
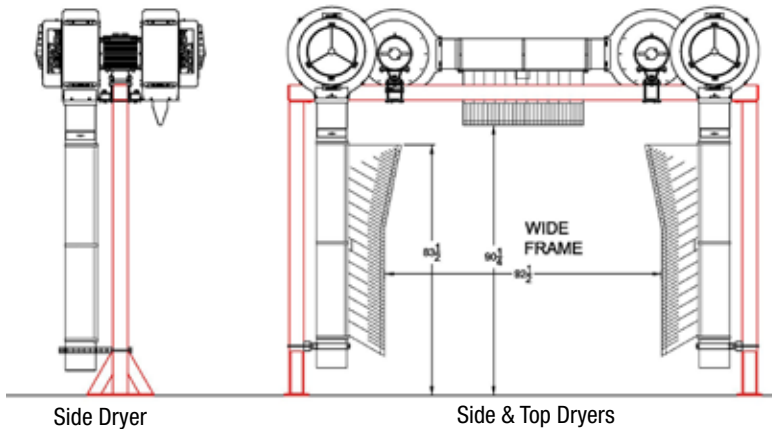
#### Specifications:

- Overall height - 78.75"
- Overall width - 28"
- Bag Height: 70"

### Finishing Top Dryer

#### Specifications:

- Overall height - 28.75"
- Overall width - 58"
- Bag Height: 18.5"
- Bag Width: 40"



### Affordable, Unbeatable Car Wash Equipment

For more than 30 years, MacNeil Wash Systems has provided superior car wash equipment to the tunnel car wash industry, automotive dealers, fleet and rental markets. Our turnkey systems, profit-boosting add-ons and cost-effective retrofits deliver a consistently superior clean with lower maintenance, higher throughput and greater revenue opportunity. Today, MacNeil equipment is more affordable than ever. Put us to the test.

MacNeil reserves the right to revise designs, make corrections, add or delete features and change specifications at any time without notice or obligation. Information provided is for reference only and is not to be used for installation or construction purposes. Refer to MacNeil Wash Systems' equipment drawings for installation specifications



**OUTLASTS AND OUTSHINES THE REST.**

MacNeilWash.com 800.361.7797